

B245

Wall Mount Bracket



Features

Aesthetic design

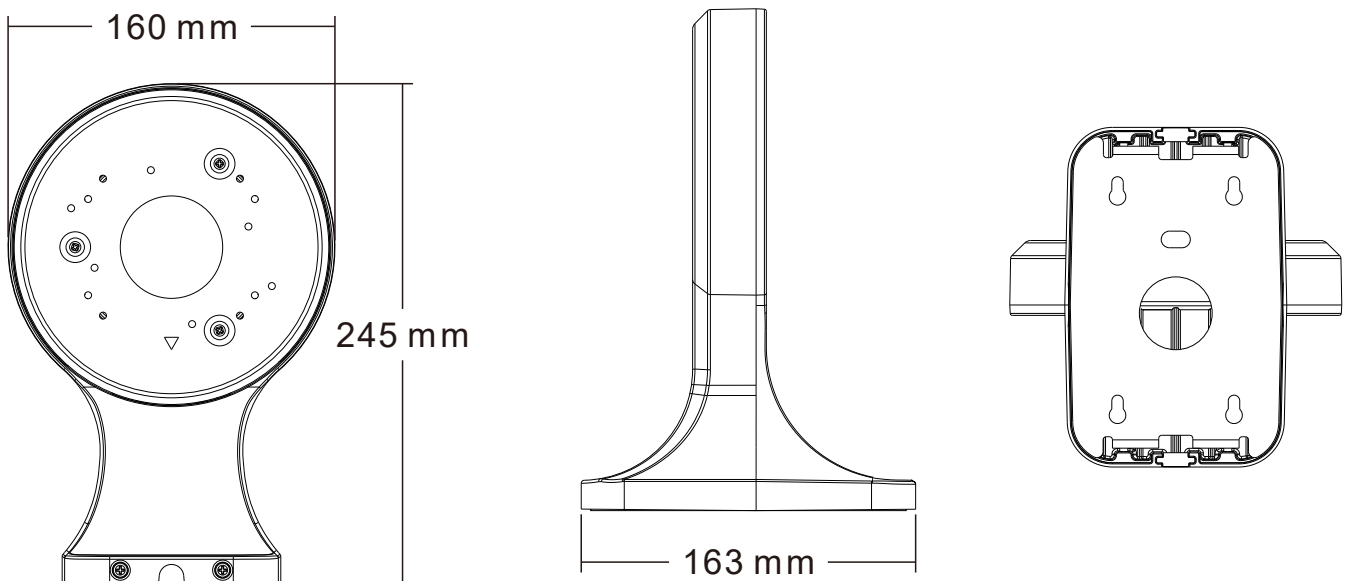
Wall mount bracket

Material: Aluminum & SECC

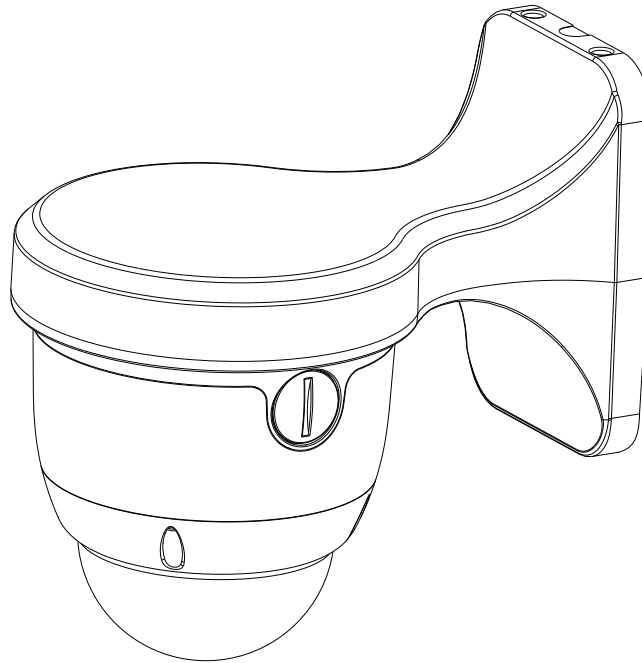
Technical Specifications

Model	B245
Material	Aluminum & SECC
Dimension(WxHxD)	245 x 160 x 163 mm
Weight	1050g (Single machine packaging)
Color	White
Operating Temperature	-40°C ~ +60°C (-40°F ~ +140°F)
Humidity	< 90% RH
Applicable Model	LVDB / DJ / LVDH / LVDC45 / LPDS / LIRAB / LVWDC20 / LVWDB20 / LIRDCA / LIRDC / LIRDNT / SUT30 / LMDC / KDVNT20 / KDVMT20

Dimensions (mm)



Application



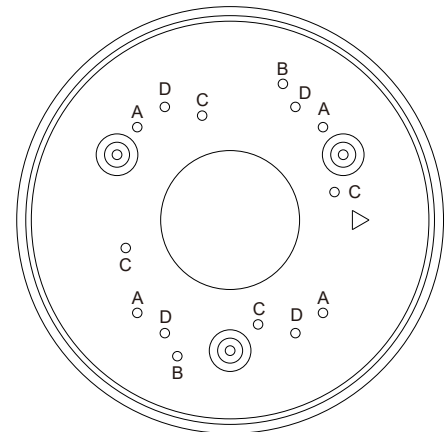
Packaging Information

Wall mount bracket x 1

M4 screw x 3

ST4 screw x 4

Plastic anchor x 4



- (1) 4 A holes, suitable for LPDS / LIRDC / LIRDCA / LIRDNT / SUT30
- (2) 2 B holes, suitable for LMDC (when shipped with LMDC, 2 x M4 x 7 + 4mm hexagonal copper posts are required)
- (3) 4 C holes, suitable for DJ/LIRAB
- (4) 4 D holes, suitable for LVDB / LVDH / L VWDC20 / L VWDB20 / KDVNT20 / KDVMT20 / LVDC45 (for shipment with LVDC45, 4 x M4 x 7 + 4mm hexagonal copper pillars are required)